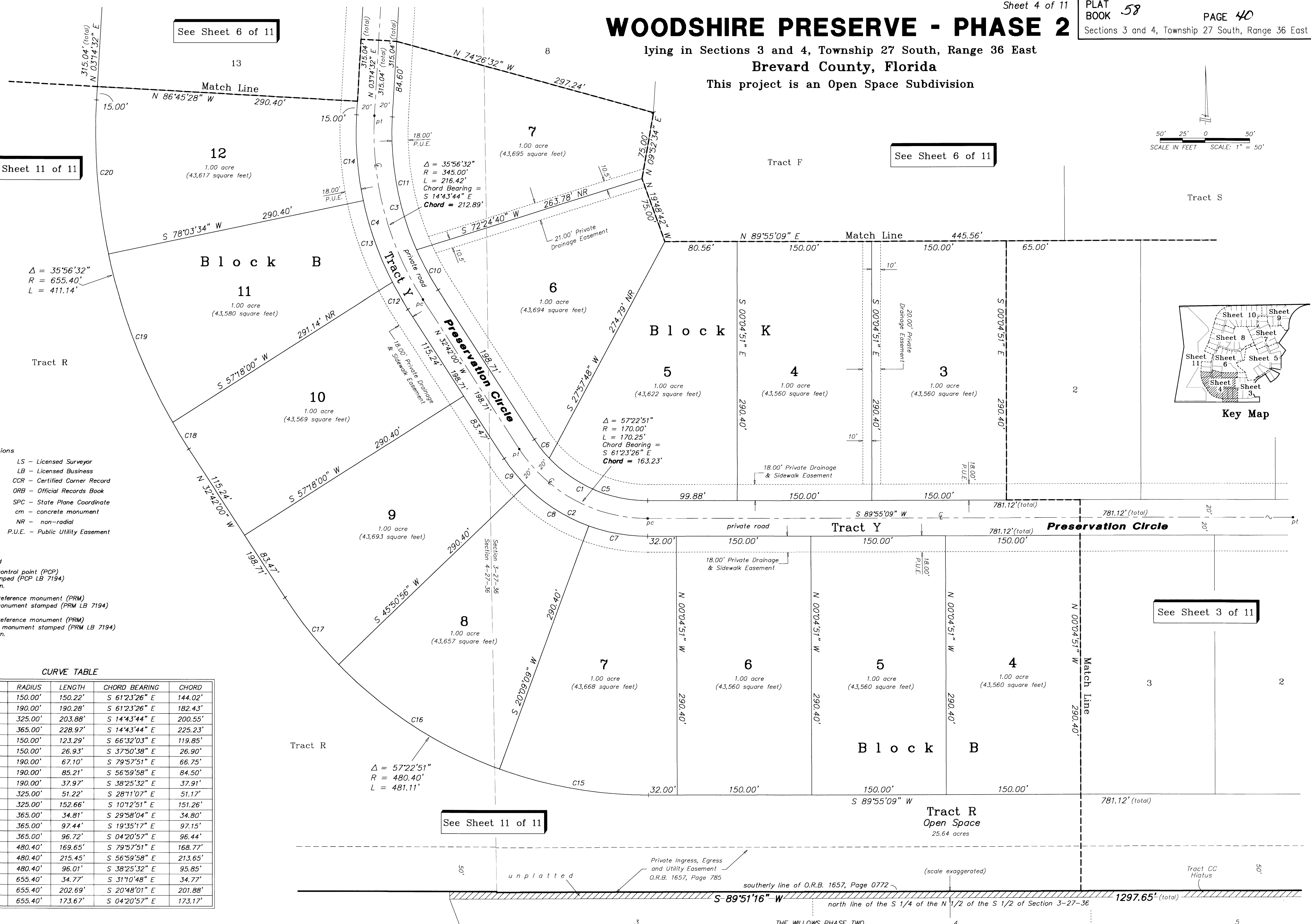
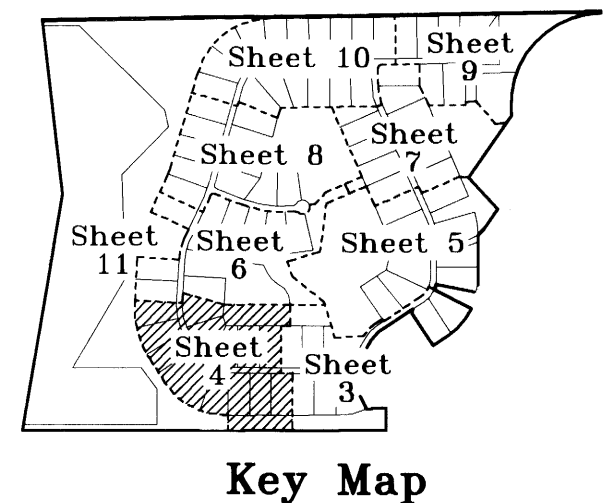
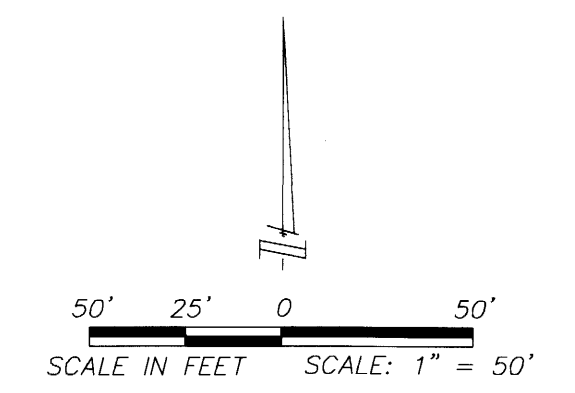


WOODSHIRE PRESERVE - PHASE 2

lying in Sections 3 and 4, Township 27 South, Range 36 East

Brevard County, Florida

This project is an Open Space Subdivision



See Sheet 6 of 11

See Sheet 11 of 11

See Sheet 6 of 11

See Sheet 3 of 11

See Sheet 11 of 11

- Abbreviations**
- L - arc length
 - Δ - central angle
 - R - radius or radial
 - ± - more or less
 - ℄ - centerline
 - pal - point on line
 - pt - point of tangency
 - pc - point of curvature
 - pi - point of intersection
 - LS - Licensed Surveyor
 - LB - Licensed Business
 - CCR - Certified Corner Record
 - ORB - Official Records Book
 - SPC - State Plane Coordinate
 - cm - concrete monument
 - NR - non-radial
 - P.U.E. - Public Utility Easement

- Legend**
- indicates permanent control point (PCP) set nail and disc stamped (PCP LB 7194) unless otherwise shown.
 - indicates permanent reference monument (PRM) set 4"x4" concrete monument stamped (PRM LB 7194)
 - indicates permanent reference monument (PRM) found 4"x4" concrete monument stamped (PRM LB 7194) unless otherwise shown.

CURVE TABLE

CURVE	DELTA	RADIUS	LENGTH	CHORD BEARING	CHORD
C1	57°22'51"	150.00'	150.22'	S 61°23'26" E	144.02'
C2	57°22'51"	190.00'	190.28'	S 61°23'26" E	182.43'
C3	35°56'32"	325.00'	203.88'	S 14°43'44" E	200.55'
C4	35°56'32"	365.00'	228.97'	S 14°43'44" E	225.23'
C5	47°05'35"	150.00'	123.29'	S 66°32'03" E	119.85'
C6	10°17'15"	150.00'	26.93'	S 37°50'38" E	26.90'
C7	20°14'00"	190.00'	67.10'	S 79°57'51" E	66.75'
C8	25°41'47"	190.00'	85.21'	S 56°59'58" E	84.50'
C9	11°27'04"	190.00'	37.97'	S 38°25'32" E	37.91'
C10	9°01'47"	325.00'	51.22'	S 28°11'07" E	51.17'
C11	26°54'45"	325.00'	152.66'	S 10°12'51" E	151.26'
C12	5°27'52"	365.00'	34.81'	S 29°58'04" E	34.80'
C13	15°17'42"	365.00'	97.44'	S 19°35'17" E	97.15'
C14	15°10'58"	365.00'	96.72'	S 04°20'57" E	96.44'
C15	20°14'00"	480.40'	169.65'	S 79°57'51" E	168.77'
C16	25°41'47"	480.40'	215.45'	S 56°59'58" E	213.65'
C17	11°27'04"	480.40'	96.01'	S 38°25'32" E	95.85'
C18	3°02'24"	655.40'	34.77'	S 31°10'48" E	34.77'
C19	17°43'10"	655.40'	202.69'	S 20°48'01" E	201.88'
C20	15°10'58"	655.40'	173.67'	S 04°20'57" E	173.17'