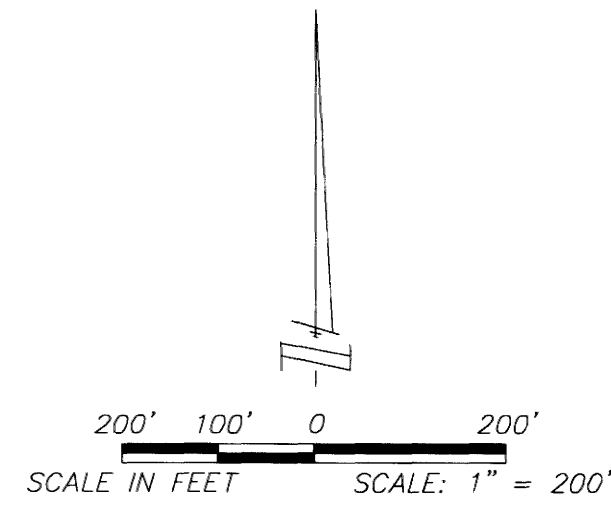


WOODSHIRE PRESERVE - PHASE 2

lying in Sections 3 and 4, Township 27 South, Range 36 East

Brevard County, Florida

This project is an Open Space Subdivision



State Plane Coordinates (SPC)				
①	(y)	1395244.938	(x)	748613.374
②	(y)	1393348.221	(x)	747899.667
③	(y)	1392569.450	(x)	746014.988
④	(y)	1391589.134	(x)	744804.710
⑤	(y)	1393228.328	(x)	745081.509
⑥	(y)	1394447.370	(x)	744939.377
⑦	(y)	1394472.060	(x)	746521.803
⑧	(y)	1389937.956	(x)	748663.591
⑨	(y)	1389947.481	(x)	746054.016

- Legend**
- indicates permanent control point (PCP) set nail and disc stamped (PCP LB 7194) unless otherwise shown.
 - indicates permanent reference monument (PRM) set 4"x4" concrete monument stamped (PRM LB 7194)
 - indicates permanent reference monument (PRM) found 4"x4" concrete monument stamped (PRM LB 7194) unless otherwise shown.
- Abbreviations**
- | | |
|----------------------------|----------------------------------|
| L - arc length | LS - Licensed Surveyor |
| Δ - central angle | LB - Licensed Business |
| R - radius or radial | CCR - Certified Corner Record |
| ± - more or less | ORB - Official Records Book |
| ⊕ - centerline | SPC - State Plane Coordinate |
| pol - point on line | cm - concrete monument |
| pt - point of tangency | NR - non-radial |
| pc - point of curvature | P.U.E. - Public Utility Easement |
| pi - point of intersection | |

