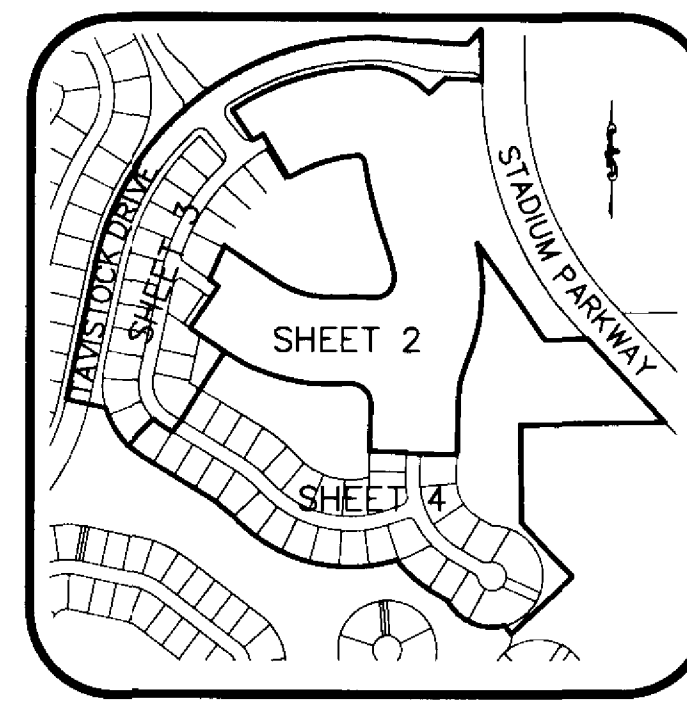
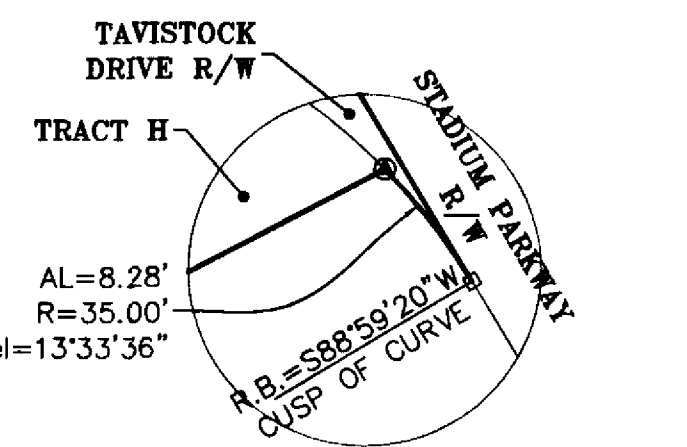


COLFAX LANDING - PHASE 1

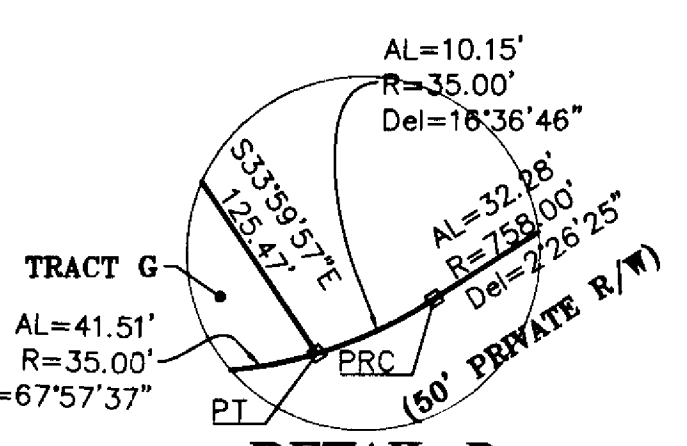
VIERA CENTRAL P.U.D. - A PORTION OF PARCEL 4 AND A PORTION OF SECTIONS 29 & 32, TOWNSHIP 25 SOUTH, RANGE 36 EAST VIERA, BREVARD COUNTY, FLORIDA



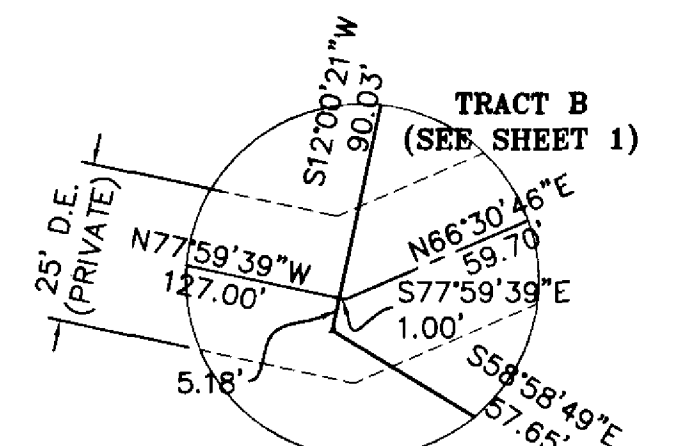
KEY MAP
N.T.S.



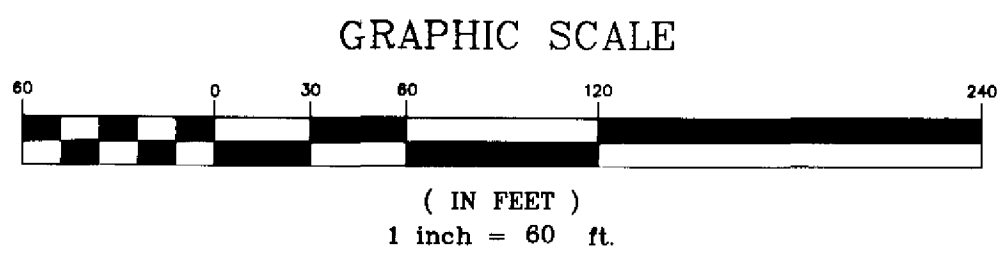
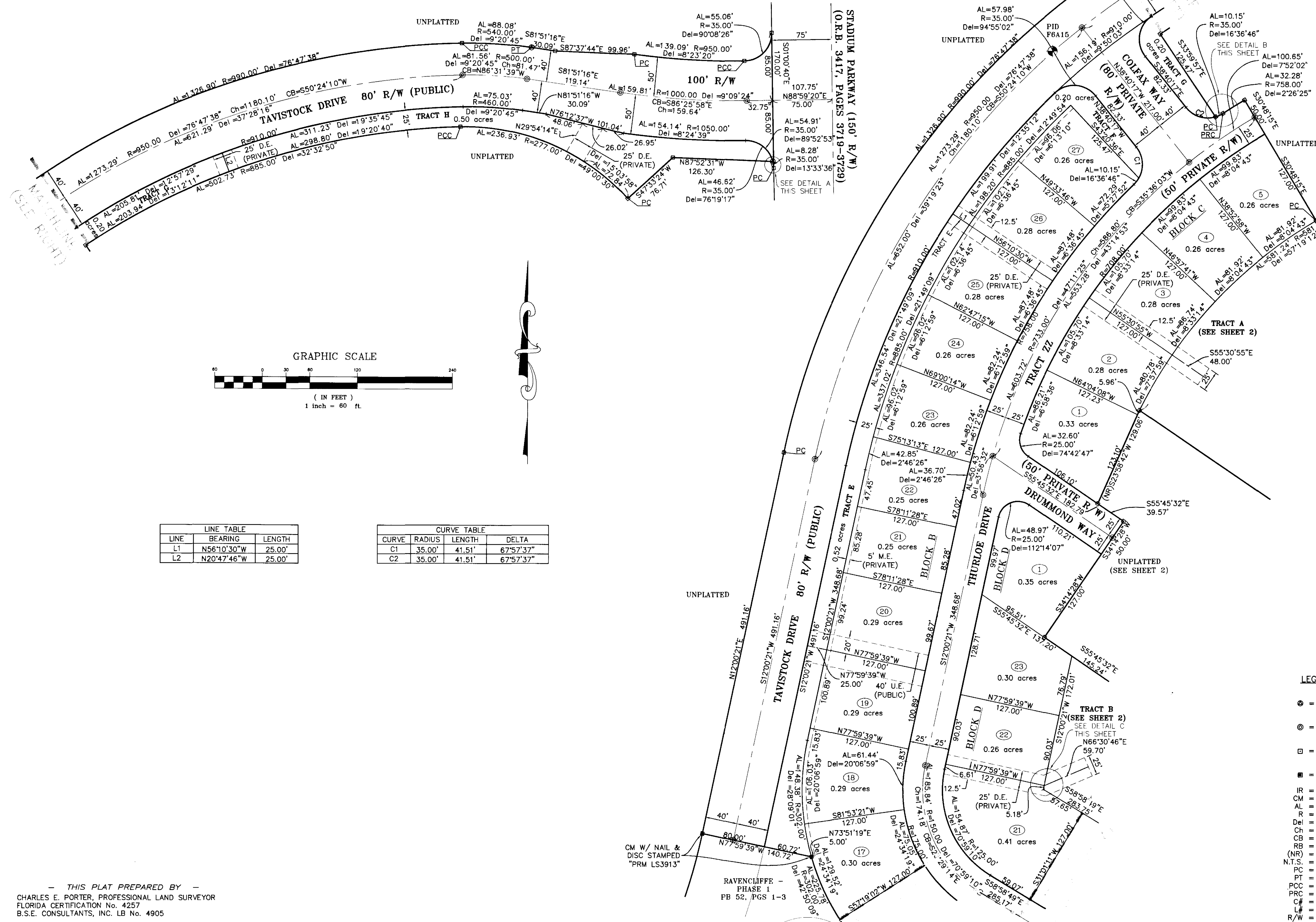
DETAIL A
N.T.S.



DETAIL B
N.T.S.



DETAIL C
N.T.S.



LINE TABLE		
LINE	BEARING	LENGTH
L1	N56°10'30"W	25.00'
L2	N20°47'46"W	25.00'

CURVE TABLE			
CURVE	RADIUS	LENGTH	DELTA
C1	35.00'	41.51'	67°57'37"
C2	35.00'	41.51'	67°57'37"

- LEGEND**
- ⊙ = NAIL & DISC - SET (METAL MARKER WITH A METAL DISK STAMPED "PCP LB 4905")
 - ⊙ = PERMANENT CONTROL POINT - SET (METAL MARKER WITH A METAL DISK STAMPED "PCP LB 4905")
 - = PERMANENT REFERENCE MONUMENT - SET (4"x4" CONCRETE MARKER WITH METAL DISK STAMPED "PRM LB 4905")
 - = PERMANENT REFERENCE MONUMENT - FOUND (4"x4" CONCRETE MARKER MARKED LS-3913)
 - IR = IRON ROD
 - CM = CONCRETE MONUMENT
 - AL = ARC LENGTH OF CURVE
 - R = RADIUS OF CURVE
 - Del = CENTRAL ANGLE OF CURVE
 - Ch = CHORD LENGTH OF CURVE
 - CB = CHORD BEARING OF CURVE
 - RB = RADIAL BEARING
 - (NR) = NON RADIAL LINE
 - N.T.S. = NOT TO SCALE
 - PC = POINT OF CURVATURE
 - PT = POINT OF TANGENCY
 - PCC = POINT OF COMPOUND CURVE
 - PRC = POINT OF REVERSE CURVE
 - C# = CURVE TABLE LABEL
 - L# = LINE TABLE LABEL
 - R/W = RIGHT OF WAY
 - D.E. = DRAINAGE EASEMENT
 - U.E. = UTILITY EASEMENT
 - M.E. = MAINTENANCE EASEMENT
 - O.R.B. = OFFICIAL RECORD BOOK

- THIS PLAT PREPARED BY -
CHARLES E. PORTER, PROFESSIONAL LAND SURVEYOR
FLORIDA CERTIFICATION No. 4257
B.S.E. CONSULTANTS, INC. LB No. 4905

B.S.E. CONSULTANTS, INC.
CONSULTING - ENGINEERING - LAND SURVEYING
312 SOUTH HARBOR CITY BOULEVARD, SUITE 4
MELBOURNE, FLORIDA PHONE: (321) 725-3674 FAX: (321) 723-1159
CERTIFICATE OF BUSINESS AUTHORIZATION 4905
CERTIFICATE OF LAND SURVEYING BUSINESS AUTHORIZATION LB0004905

DATE: 12/02/04
NOTICE: THIS PLAT, AS RECORDED IN ITS GRAPHIC FORM, IS THE OFFICIAL DEPICTION OF THE SUBDIVIDED LANDS DESCRIBED HEREIN AND WILL IN NO CIRCUMSTANCES BE SUPPLANTED IN AUTHORITY BY ANY OTHER GRAPHIC OR DIGITAL FORM OF THE PLAT. THERE MAY BE ADDITIONAL RESTRICTIONS THAT ARE NOT RECORDED ON THIS PLAT THAT MAY BE FOUND IN THE PUBLIC RECORDS OF THIS COUNTY.

J. A. HOS