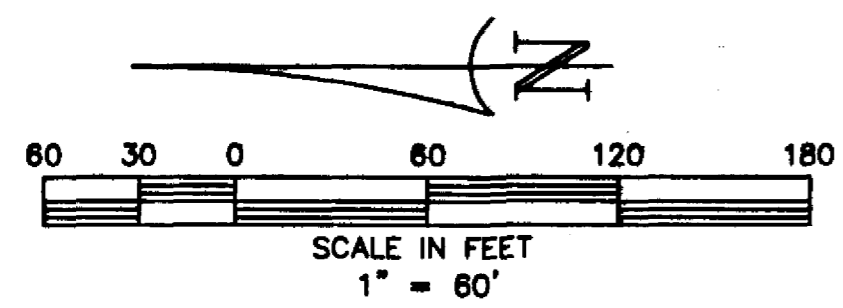
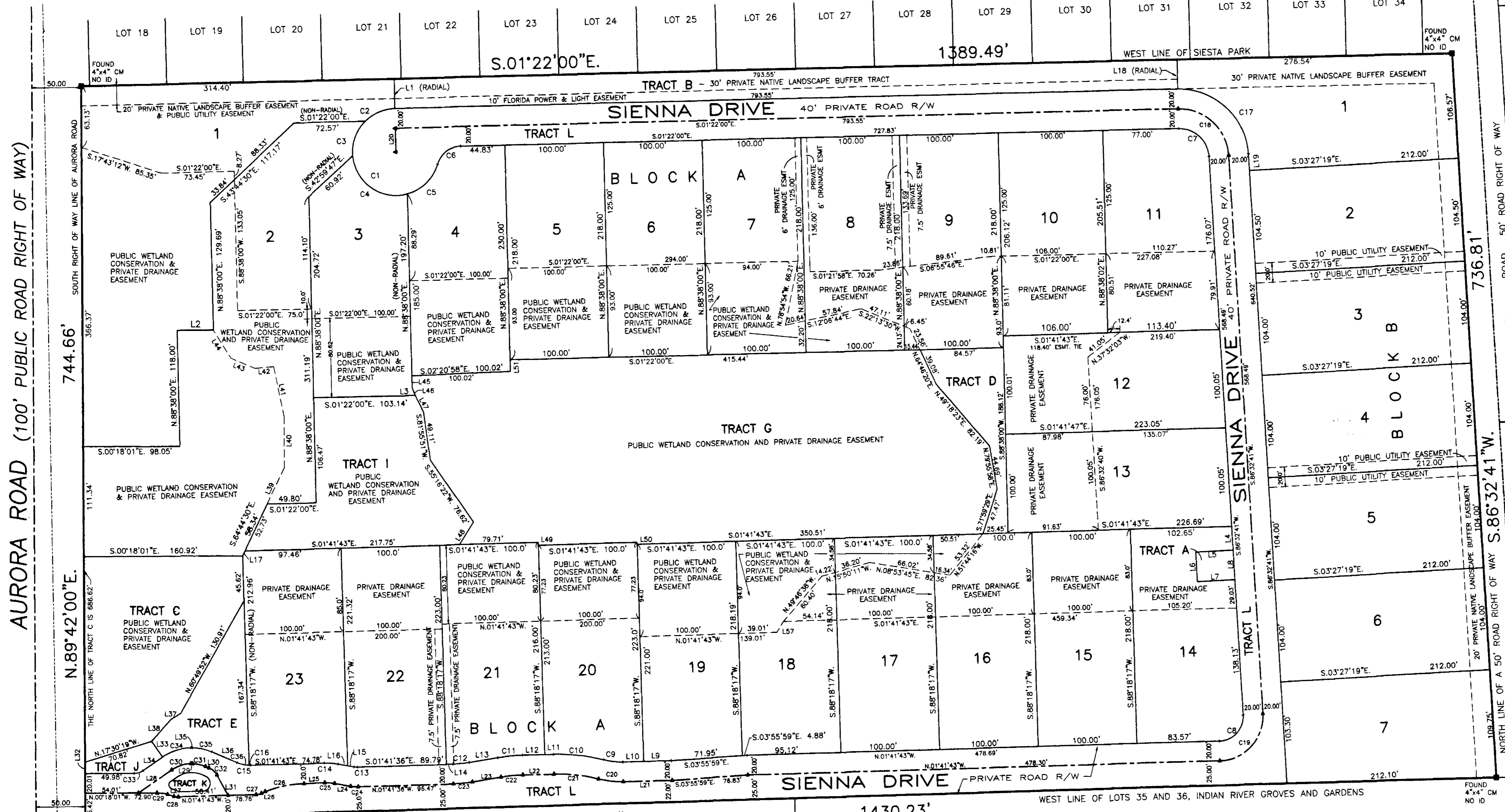


AURORA WOODS



SIESTA PARK
 PLAT BOOK 12, PAGE 93



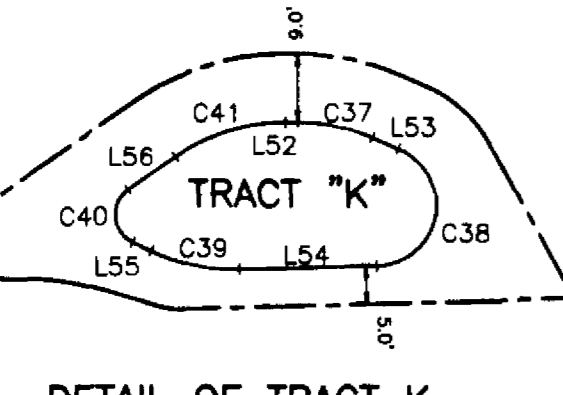
AURORA ROAD (100' PUBLIC ROAD RIGHT OF WAY)

LOT 1
LOT 2
LOT 3
REPLAT OF TOLLEY ESTATES
PLAT BOOK 19, PAGE 62

TRIMBLE ROAD 50' ROAD RIGHT OF WAY

TAX PARCEL 54.03

INDIAN RIVER GROVES & GARDENS
PLAT BOOK 6, PAGE 85
LOT 55



NO.	RADIUS	DELTA	ARC	CHORD BEARING	CHORD
C1	44.00'	107°43'09"	82.72'	S.52°29'34"W.	71.07'
C2	44.00'	43°33'09"	33.46'	S.23°08'34"E.	32.65'
C3	44.00'	50°02'33"	38.43'	S.69°56'25"E.	37.22'
C4	44.00'	100°16'51"	77.01'	N.34°53'25"E.	67.55'
C5	44.00'	58°24'19"	44.85'	N.44°26'40"W.	42.94'
C6	25.00'	72°16'51"	31.54'	N.37°30'25"W.	29.49'
C7	30.00'	87°54'41"	46.03'	N.42°35'21"E.	41.65'
C8	25.00'	91°45'29"	40.04'	S.47°34'27"E.	35.89'
C9	69.00'	16°15'31"	19.58'	S.06°26'10"W.	19.51'
C10	181.00'	16°15'34"	51.36'	S.06°26'08"W.	51.19'
C11	181.00'	08°00'27"	25.30'	S.05°41'56"E.	25.28'
C12	119.00'	08°00'35"	16.64'	S.05°41'58"E.	16.62'
C13	19.00'	11°23'20"	3.78'	S.03°59'52"W.	3.77'
C14	71.00'	11°24'03"	14.13'	S.03°59'48"W.	14.10'
C15	33.00'	24°34'21"	14.15'	N.10°35'27"E.	14.04'
C16	33.00'	02°50'28"	1.64'	N.00°16'29"E.	1.64'
C17	70.00'	87°54'41"	107.40'	S.42°35'21"W.	97.17'
C18	50.00'	87°54'41"	76.72'	S.42°35'21"W.	69.41'
C19	45.00'	91°45'36"	72.07'	N.47°34'31"W.	64.61'
C20	89.00'	16°15'31"	25.26'	N.06°26'10"E.	25.17'
C21	161.00'	16°15'34"	45.69'	N.06°26'08"E.	45.54'
C22	161.00'	08°00'27"	22.50'	N.05°41'56"W.	22.48'
C23	139.00'	08°00'35"	19.43'	N.05°41'58"W.	19.41'
C24	51.00'	11°24'03"	10.15'	N.03°59'48"E.	10.13'
C25	111.00'	20°53'29"	40.47'	N.12°08'01"W.	40.25'
C26	14.00'	23°04'25"	5.64'	N.13°13'01"W.	5.60'
C27	14.00'	18°24'16"	4.50'	N.07°26'33"E.	4.48'
C28	36.00'	17°09'32"	10.78'	N.08°16'45"E.	10.74'
C29	34.00'	34°57'42"	20.75'	S.17°28'51"E.	20.43'
C30	34.00'	22°53'04"	13.58'	S.11°26'32"W.	13.49'
C31	17.00'	37°19'41"	11.08'	S.41°34'20"W.	10.88'
C32	16.00'	34°36'39"	9.67'	S.17°36'21"E.	9.52'
C33	50.00'	34°57'42"	30.51'	S.17°28'51"E.	30.04'
C34	50.00'	22°53'04"	19.97'	S.11°26'32"W.	19.84'
C35	33.00'	21°43'53"	12.52'	S.12°00'41"W.	12.44'
C36	25.00'	22°53'13"	9.99'	S.11°26'36"W.	9.92'
C37	8.00'	155°20'40"	21.69'	N.79°23'04"W.	15.63'
C38	25.00'	27°11'54"	11.87'	N.11°54'20"E.	11.76'
C39	4.00'	119°37'05"	8.35'	N.85°16'47"E.	6.92'
C40	25.00'	34°57'42"	15.26'	S.17°28'50"E.	15.02'

Line	Bearing-Distance	Line	Bearing-Distance
L1	N.88°38'00"E. 30.00'	L30	S.22°52'38"W. 3.69'
L2	S.00°18'01"E. 36.74'	L31	S.61°28'30"W. 25.54'
L3	N.67°16'51"E. 8.62'	L32	S.89°38'20"E. 11.40'
L4	N.86°32'41"E. 24.01'	L33	S.55°02'18"W. 19.35'
L5	S.03°27'19"E. 38.00'	L34	N.34°54'40"W. 23.95'
L6	N.86°32'41"E. 30.00'	L35	S.00°00'00"W. 1.63'
L7	N.03°27'19"W. 38.00'	L36	S.22°52'38"W. 27.79'
L8	S.86°32'41"W. 30.00'	L37	N.32°04'47"W. 11.90'
L9	S.01°41'49"E. 28.10'	L38	N.48°41'44"W. 29.92'
L10	S.01°41'49"E. 21.15'	L39	S.64°44'30"E. 40.56'
L11	S.01°41'15"E. 8.86'	L40	N.89°52'04"E. 51.72'
L12	S.01°41'15"E. 22.57'	L41	N.78°18'29"E. 51.87'
L13	S.09°43'15"E. 29.25'	L42	N.05°00'35"W. 19.07'
L14	S.01°41'36"E. 6.68'	L43	N.22°39'51"E. 26.33'
L15	S.09°42'37"W. 6.58'	L44	N.58°13'03"E. 33.80'
L16	S.09°42'37"W. 9.74'	L45	S.88°38'00"W. 12.20'
L17	N.64°44'30"W. 5.61'	L46	S.67°16'51"W. 8.62'
L18	S.88°38'00"W. 30.00'	L47	S.64°04'37"W. 18.80'
L19	S.86°32'41"W. 16.72'	L48	N.58°32'54"W. 26.77'
L20	N.88°38'00"E. 24.00'	L49	S.88°18'17"W. 3.00'
L21	N.01°41'49"W. 49.64'	L50	N.88°18'17"E. 2.00'
L22	N.01°41'15"W. 31.42'	L51	S.88°37'59"W. 12.00'
L23	N.09°43'15"W. 29.25'	L52	S.00°00'00"W. 1.63'
L24	N.09°42'37"E. 16.33'	L53	S.22°52'37"E. 3.69'
L25	N.01°42'14"W. 21.19'	L54	N.01°41'37"W. 17.89'
L26	N.23°39'37"W. 4.24'	L55	N.25°34'06"E. 2.68'
L27	N.16°23'00"E. 6.65'	L56	S.34°54'40"E. 7.53'
L28	S.34°54'40"E. 40.99'	L57	N.59°46'37"W. 12.96'
L29	S.00°00'00"W. 1.63'		

Campbell SURVEYING AND MAPPING
 OF BREVARD, INC.
 3525 N. COURTENAY PARKWAY - SUITE 1
 MAILING ADDRESS: P.O. BOX 542148
 MERRITT ISLAND, FL 32954 PHONE (321) 453-5820